



Standard Piranha MRTV, Piranha TV, SLX-Hawk TI & LP17D installation



Piranha LRTV camera option, mast mounted on a vehicle



Simple cost effective integration for cueing to radar targets



Hawkeye LR



Long Range Surveillance Pan & Tilt Head

Hawkeye LR is a compact, high performance, long range surveillance system. It has been designed for use in the harshest environments to provide 24 hour surveillance and threat detection. Hawkeye LR is ideally suited for fixed position, border post surveillance on its own, or can be easily integrated with a radar system to cue to targets. Hawkeye LR is equally at home as a mast mounted, long range, situational awareness system as part of a vehicle convoy protection setup.

What sets Hawkeye LR apart from other long range surveillance systems is its reliability and easy maintainability, but more importantly its high quality sensors. With options for two long range cameras, capable of identifying a man between 2-5km, we are confident we have the configuration you need for the budget you have. The system also boasts a WFOV 36x zoom Piranha TV camera and a cooled TI camera. Options are also available for LRFs and Gyro stabilisation.

- Day/Night long range border and coastal surveillance
- Mast mounted vehicle convoy situational awareness support
- Compound/Asset protection
- Long range threat detection and identification
- Easily integrated to cue to radar identified targets

High performance, long range surveillance system for border/mobile convoy applications

Piranha LRTV

Long Range Colour TV Camera

With its rugged design & build, Piranha LRTV is a potent long range daylight camera. It uses a 12-660mm zoom lens, which when used with its 2.54x teleconverter, gives an effective optical zoom of 140x (0.22° NFOV, 25° WFOV).



Piranha MRTV

Medium Range TV Camera

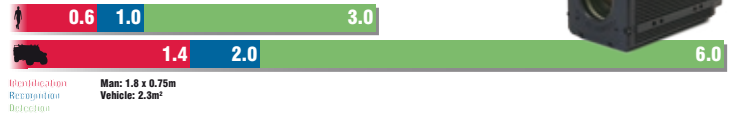
Piranha MRTV is a highly sensitive colour daylight TV camera. With an image resolution of 976 x 585 pixels, it produces high quality surveillance images day in, day out. Its 30-750mm lens gives an optical zoom of 25x (0.37° NFOV, 9.34° WFOV).



Piranha TV

36x Zoom Colour TV Camera

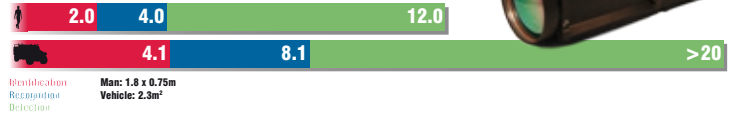
Piranha TV is Chess' most popular and reliable camera, having been used in a wide range of extreme environments for many years. It gives a WFOV of 57.8° for great overview surveillance, as well as being capable of 36x zoom (1.7° NFOV) for initial inspections of threats.



SLX-Hawk

3.7-4.95µm Cooled TI Camera

This camera is a high performance cooled, thermal imager designed for 24/7 surveillance day or night (MTBF >20,000 hours). It has a continuous zoom from 24° WFOV to 1.8° NFOV and produces outstanding image quality in black hot/white hot modes, day or night.



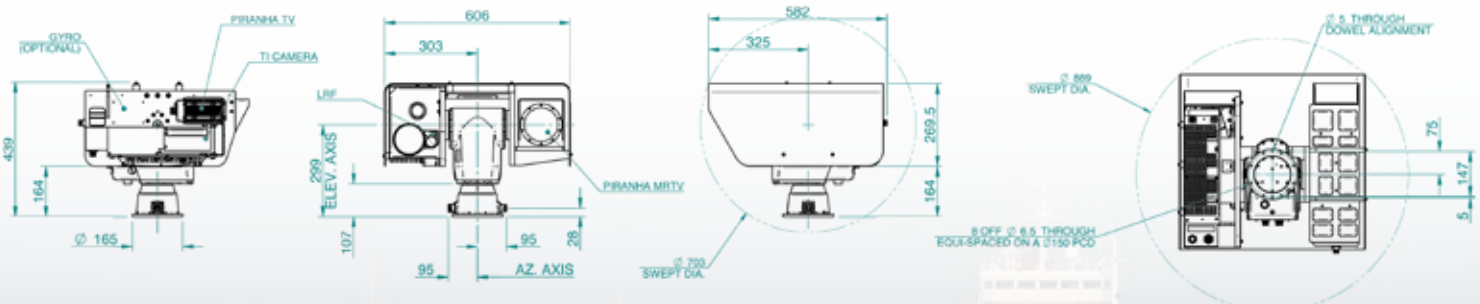
Actual range may vary depending on camera setup, environmental condition and type of display used. Assumptions: 50% probability of achieving objective at specified distance given 2° C temperature difference and 0.85/Km atmospheric attenuation factor.

Hawkeye LR

The Hawkeye LR platform is based on the immensely popular Cobra PTH. Its rugged design & build, with high performance sensor pointing, make it ideal for outpost situational awareness applications. Its modular construction and design means sensors can be easily replaced/repaired without complete removal of the optical head. This saves valuable time & money, keeping your equipment working in the field for longer.

Hawkeye Specifications Performance

System Mass	45-50kg (Depending on configuration)
Stabilisation	Available on request
Azimuth Rotation	360° x n Continuous
Elevation Range	Subject to requirement
Voltage	18-32V DC
Peak Power (24V)	150W
Communications	RS422



Chess Dynamics Ltd.
 Quadrant House,
 North Heath Business Park, North Heath Lane,
 Horsham, West Sussex, RH12 5QE, UK

Tel: +44 (0)1403 249 888
 Fax: +44 (0)1403 249 555
 www.chess-dynamics.com

