



Standard Piranha LRTV, Horizon long range IR (also SD) and Gyro



The long range Horizon thermal image camera is available in SD



Hawkeye XRHD



Extreme Range High Definition Surveillance Pan & Tilt Head

Hawkeye XR/XRHD is a heavy duty, extreme range surveillance system. It has been specifically designed for use in the harshest environments to provide 24 hour long range surveillance. Hawkeye XR/XRHD is ideally suited to most land and coastal surveillance applications, and is easily integrated into a range of leading ground surveillance radar.

What sets Hawkeye XR/XRHD apart from other extreme range surveillance systems is its reliability and easy maintainability. The system boasts a long range, continuous zoom Piranha LRTV, which has a NFOV of 0.22°, and a long range, cooled Horizon thermal image camera (also available in an HD variant) capable of identifying a man sized threat at a range in excess of 6.6km*.

- 24 hour extreme range day/night surveillance
- Target detection exceeding 20km
- Automatic tracking and programmable surveillance sectors
- Full integration to a variety of ground surveillance radar
- Available in standard and high definition variants

Ultra high performance, extreme range HD surveillance system for land based applications

Piranha LRTV

Long Range Colour TV Camera

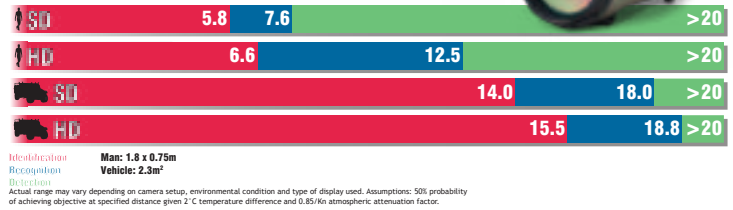
With its rugged design & build, Piranha LRTV is a potent long range daylight camera. It uses a 12-660mm zoom lens, which when used with its 2.54x teleconverter, gives an effective optical zoom of 140x (0.22° NFOV, 25° WFOV).



Horizon

3-5µm MW Cooled TI Camera

The Horizon MWIR camera is the very latest in extreme range thermal imaging technology and is available with either standard or high definition detector arrays. It offers a NFOV of just 0.6° and a cooling engine with a life of 50,000 hours for maximum performance and reliability.

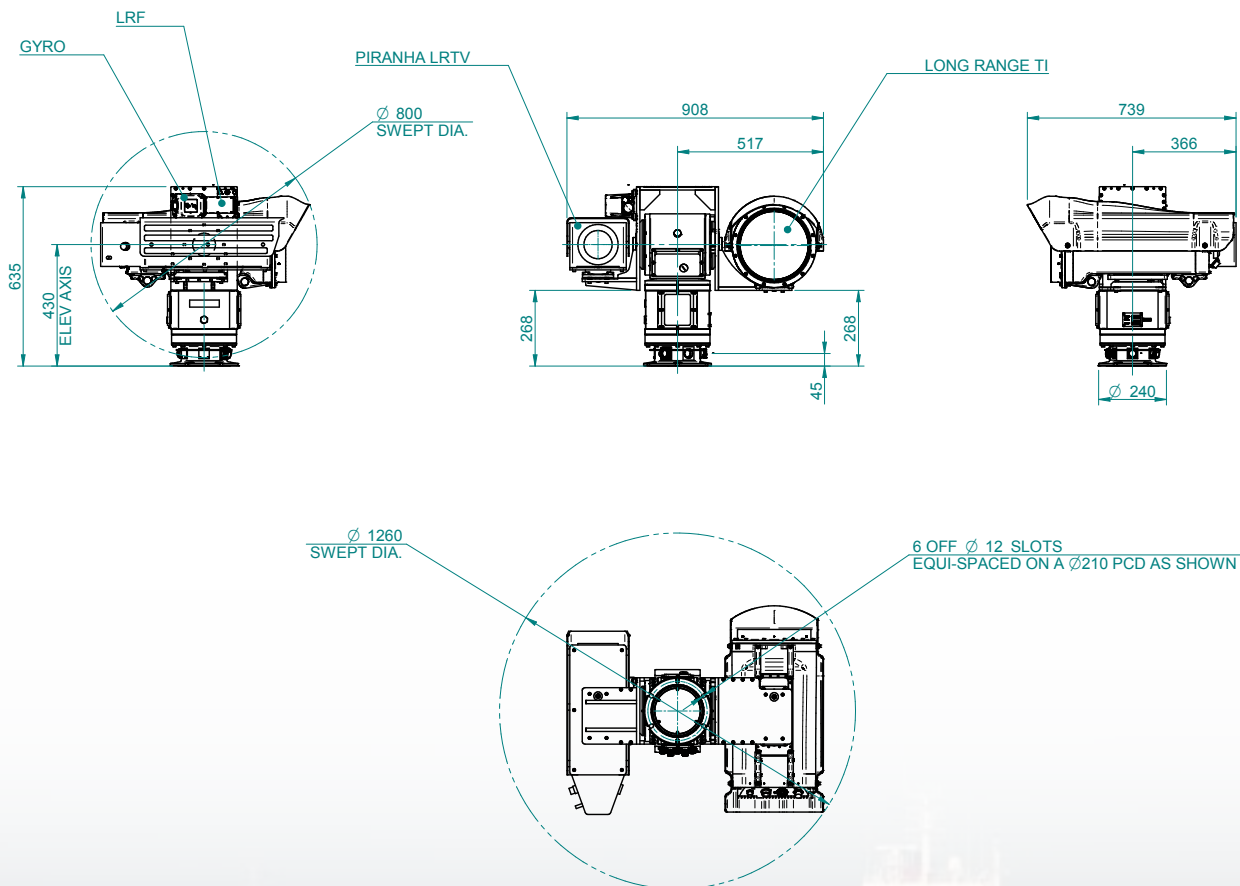


Hawkeye XR

The Hawkeye XR platform is based on the outstanding Zeta PTH, and is available as a geared or direct drive variant. Its heavy duty design & build makes it ideal for almost any situational awareness application. Its modular construction and design means sensors can be easily replaced/repaired without complete removal of the optical head. This saves valuable time & money, keeping your equipment working in the field for longer.

Hawkeye XR Specifications Performance

System Mass	Up to 120kg (Depending on configuration)
Stabilisation	Yes
Azimuth Rotation	360° x n
Elevation Range	Up to ±95°
Voltage	18-48V DC
Peak Power (24V)	Logic: <100W Motor: 500W
Communications	RS422



Chess Dynamics Ltd.
Quadrant House,
North Heath Business Park, North Heath Lane,
Horsham, West Sussex, RH12 5QE, UK

Tel: +44 (0)1403 249 888
Fax: +44 (0)1403 249 555
www.chess-dynamics.com

