



Shown with optional solar shield

Thermal Imaging Surveillance Systems

Aquila MMTI 640 Miniature Multi-Role Thermal Imager (Mini)

The Aquila MMTI 640 is a **RUGGED**, miniature short-range Thermal Imager.

The Aquila MMTI utilises a VOx uncooled 17µm pitch 640 x 480 microbolometer resistant to solar damage, and is available in 5 different lens variants.

The housing is constructed of Aluminium parts machined in house with connection via a single multi-pin connector. The unit conforms to IP67 integrity, giving great protection against the elements.

The Aquila MMTI 640 is low power, extremely small in size, and can be deployed in a number of ways, as a covert / discrete surveillance imager in hard-to-get-to places, or in an overt deployment as part of a Surveillance System protecting a Critical Infrastructure facility.

This multi-role Thermal Imager performs numerous tasks and can give you the edge that is needed to SEE day and night.

Housings are available in black, tan, white, or custom.



Applications

- Short-Range Recognition and Identification
 - Covert Surveillance
- Alarm / Event Trigger Verification
 - Rapid Deployment
 - Critical Infrastructure

LITEYE

www.liteye.com

Liteye Systems Inc, 7060 S. Tucson Way, Centennial, CO 80112 T: +1 720 974 1766 E: sales@liteye.com

Liteye UK Ltd, Office 12, 340 The Crescent, Colchester, Essex, CO4 9AD T: +44 (0)1206 848452 E: guy.nason@liteye.com



Aquila MMTI

Miniature Multi-Role Thermal Imager (Mini)

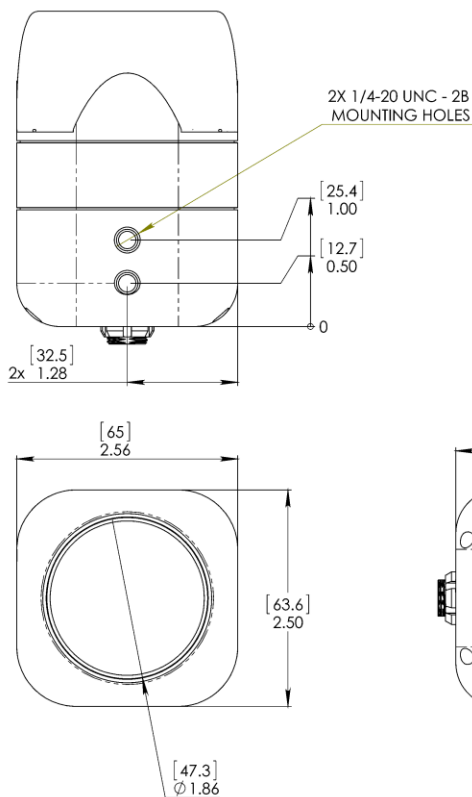
Imaging Performance	
Sensor	Uncooled VOx microbolometer
Spectral Response	8 to 14µm
Array Format	640 x 480 17µm
Thermal Sensitivity	NETD typically 50mK
Image Processing	AGC with 2 Image Contrast Enhancement algorithms and on sensor X – Y shift
Focus	Fixed focus & athermalized
Image Frequency / Video Output	30Hz detector, NTSC 30Hz, PAL 25Hz

Systems Specifications	
Power	<1.5 Watt (steady state)
Input Voltage	4 to 18 Volts DC
Control	Via RS 232
I/O	Via miniature 9 way multi-pin connector
Mounting	Two Position ¼ - 20
Weight	<400g (17° HFOV version)
Environmental	Operating temperature range -40°C to +65°C
	IP67 rated

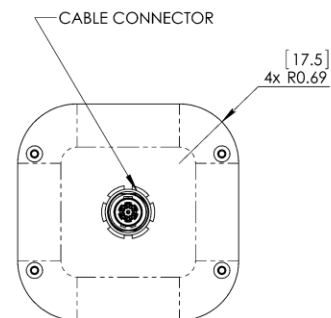
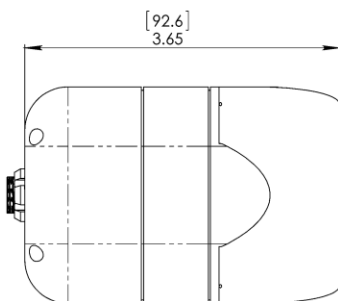
Lens Options	1-MMTI-640D-44-01	1-MMTI-640D-37.5-01	1-MMTI-640D-25-01	1-MMTI-640D-17-01	1-MMTI-640D-12-01
FoV	44° (H) x 33° (V)	37.5° (H) x 28° (V)	24.8° (H) x 18.6° (V)	17.6° (H) x 13.2° (V)	12.4° (H) x 9.3° (V)
Focal Length	14.25mm F/1.2	16.7mm F/1.2	25mm F/1.2	35mm F/1.2	50mm F/1.2

Range					
Man Detection (2 deg Δ T)	Typ. ≤ 630m	Typ. ≤ 730m	Typ. ≤ 1030m	Typ. ≤ 1450m	Typ. ≤ 2100m

Additional Options					
Cable 1-6068, other cables, Solar Shield					



Dimensions in mm and inches
17° HFOV version



Specifications subject to change without notice